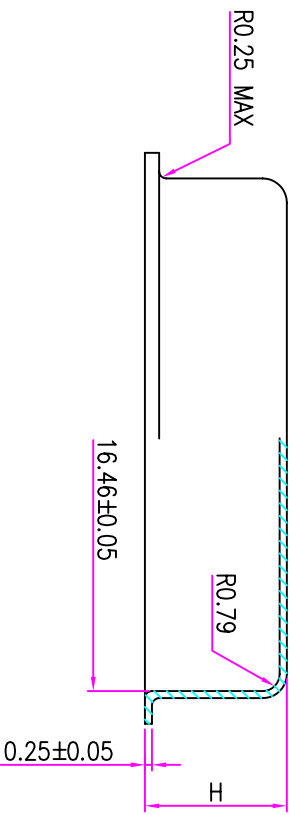
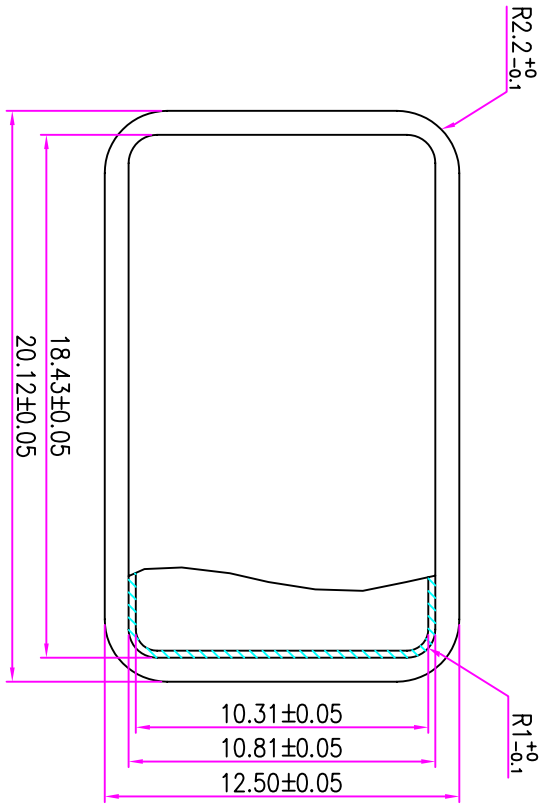


ITEM	DESCRIPTION	MATERIAL	Q'TY	SIZE	PART DRAWN NO	WT(Kg)
01	CAN	SUS304				



H" DIMENSION

A	4.50 ±0.1
B	5.00 ±0.1
C	6.50 ±0.1

NOTES

1. FLATNESS = 0.03MAX
2. BURR SIZE = 0.03MAX

Designed by	Checked by	Approved	Reference	Date	Scale	Sheet
				2003.8.19	N/S	
Project Title			FULL SIZE OSCILLATOR COVER			
Drawing No.			GEC-A08-01			

Garam ELECTRONICS CORP.

Mark	Revision	Date	Drawn	Check	Appr	Note
ⓐ						
ⓑ						
ⓒ						